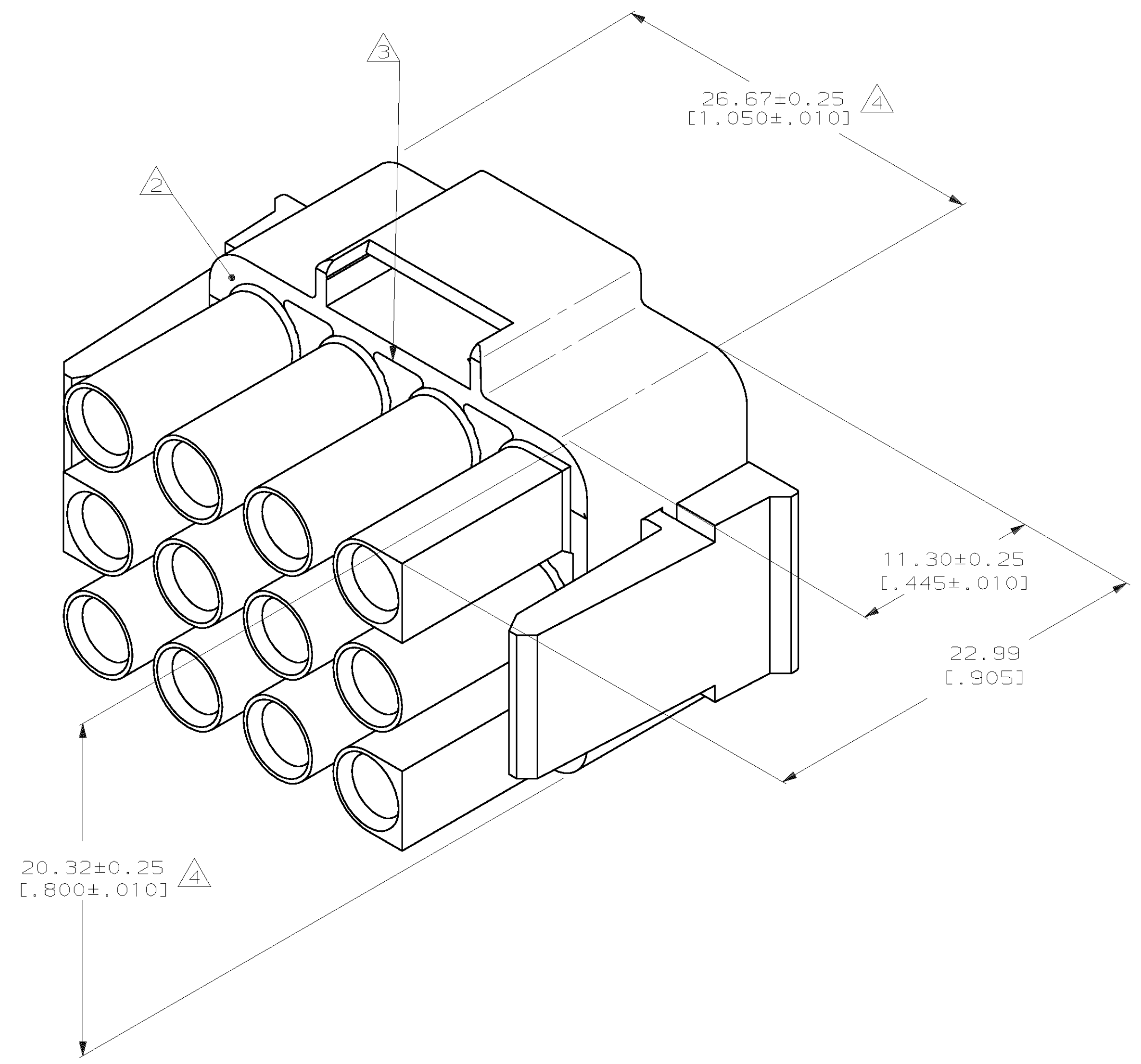
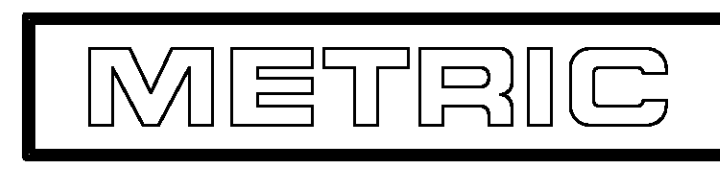


| LOC | | DIST | | REVOLUTIONS | | REVISIONS | | |
|-----|----|------|---|-------------|-----|-------------------------|---------|-------|
| CM | 53 | P | F | ZONE | LTR | DESCRIPTION | DATE | APPD |
| | | | | G | | REV PER EC 0L30-0036-97 | 3-17-97 | JH RS |

- MUST BE ASSEMBLED WITH PLUG REAR P/N 770042-1 BEFORE MATING. KIT P/N IS 770022-1.
- AMP LOGO LOCATED THIS SURFACE.
- NEW MOLD CONSTRUCTION PROVIDES MATERIAL REDUCTION CORING AT BASE OF SILOS WITH NO CORING AS OPTIONAL.
- DIMENSION INDICATED IS AS MOLDED. ADDITIONAL GROWTH DUE TO SUBSEQUENT MOISTURE ABSORPTION MAY OCCUR.
- DIMENSIONS IN BRACKETS ARE IN INCHES.



770041-1
PART NUMBER



| | | | | | |
|--|--|-----------------------|--|---|------------|
| DO NOT SCALE PRINT. UNLESS SPECIFIED DIMENSIONS IN mm TOLERANCES ON: | | DR 1-15-92 K. SALMON | | AMP INCORPORATED Harrisburg, Pa. 17105 | |
| 1-15-92 R. SWING | | CHK 1-15-92 R. SWING | | | |
| 2-PLC DEC ± 0.13 (.005) | | APPD 1-16-92 M. TRULL | | NAME | |
| ANGLES ± | | APPD 1-16-92 M. TRULL | | PLUG FRONT, 12 CIRCUIT, UNIVERSAL MATE-N-LOK™ II | |
| MATERIAL | | PRODUCT SPEC | | | |
| NYLON, UL94V-0, | | APPLICATION SPEC | | SIZE | FSCM NO |
| FINISH | | WEIGHT | | D | 00779 |
| | | | | SCALE | DRAWING NO |
| | | | | 5:1 | 770041 |
| | | | | | SHEET |
| | | | | | 1 OF 1 |